



*NAKATOMI*

# KOOLZONE

## MOBILE SPOT COOLER

QUICK GUIDE FOR **SAC-3000**



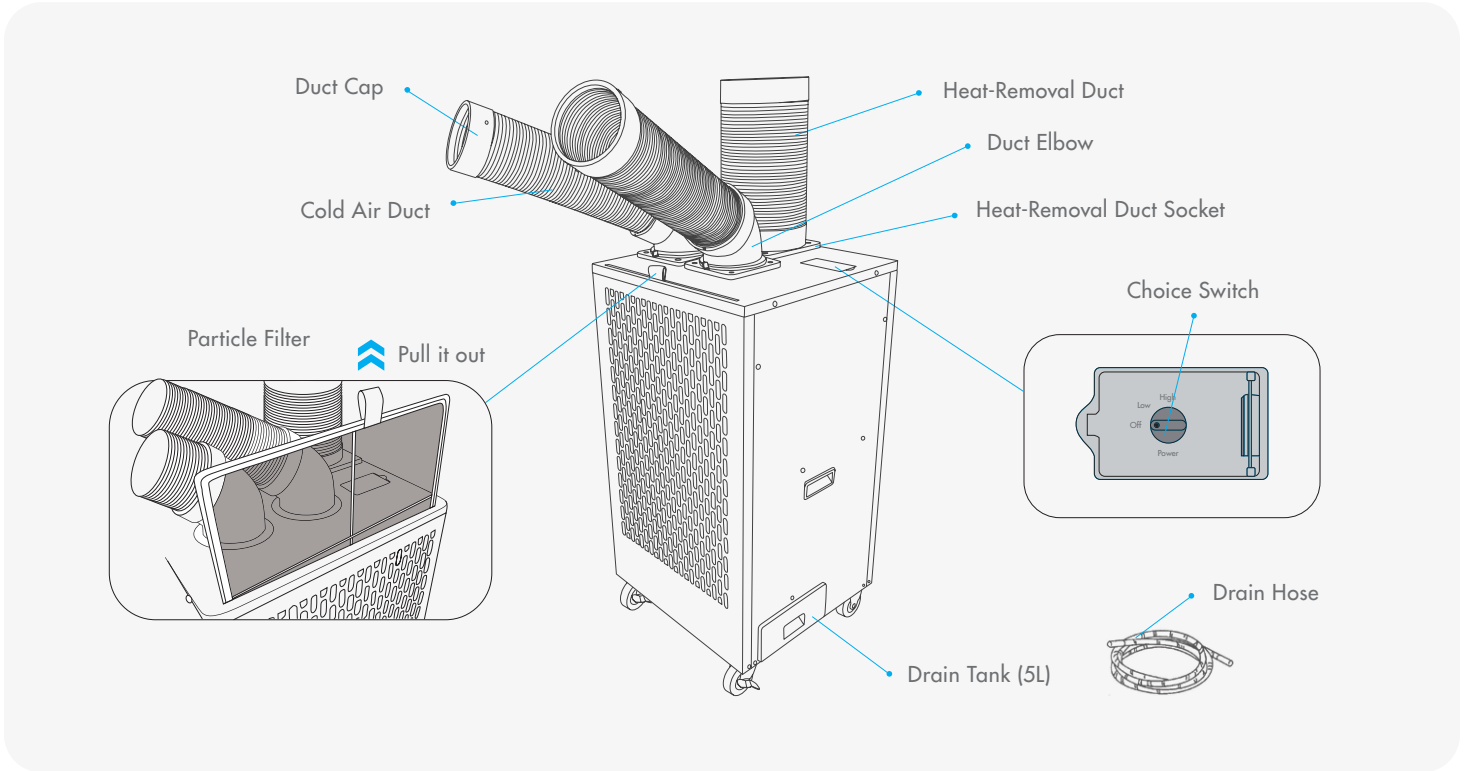
THANK YOU FOR PURCHASING THE KOOLZONE MOBILE SPOT COOLER.  
PLEASE READ THE INSTRUCTIONS BEFORE USING.  
AND PLEASE KEEP THESE INSTRUCTIONS FOR REFERENCE.



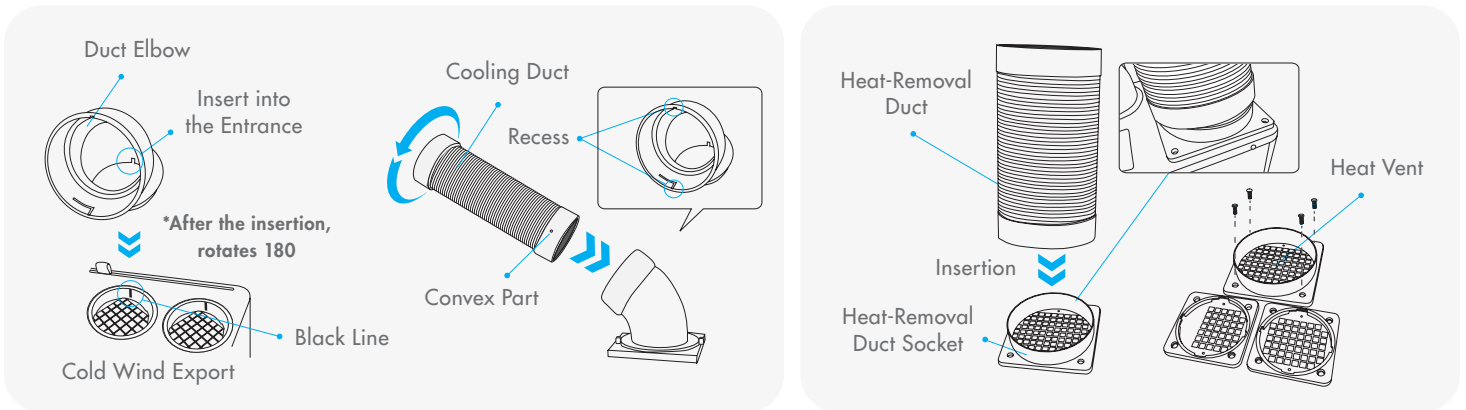
**UNINEX INTERNATIONAL**

5780 SMITHWAY STREET COMMERCE, CA 90040  
T. 800-864-3288 / 323-890-9246 / F. 323-890-9249

# PARTS OF THE MACHINE



## MANUAL - COLD AIR DUCT / HEAT-REMOVAL DUCT FITTING



### INSTALLATION

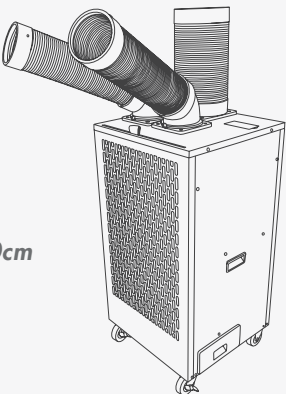
1. Installation of the curved duct: Please make the convex part of the curved duct point to the concave part of the bending base and insert it, then turn the duct in counterclockwise to lock.
2. Installation of the cooling duct: Slide the fringe of cooling duct to the slot of curve duct, then turn the cooling duct clockwise to lock. Please make sure the joint is connected well before use.
3. Installation of the heat-removal duct and socket: The heat-removal duct socket uses 4 ST4x12 bolts to fix on the heat vent. When heat-removal duct insertion heat-removal duct socket, please note reliably. When inserting the heat-removal duct, please note the heat-removal mouth recess.

# IMPORTANT - KEEP DISTANCE

Cooling Outlet  
Direction above 30cm



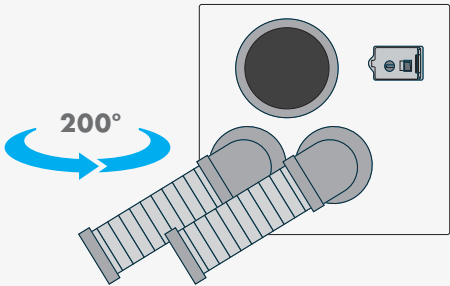
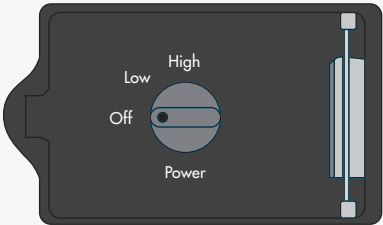
Air Outlet  
Direction above 30cm



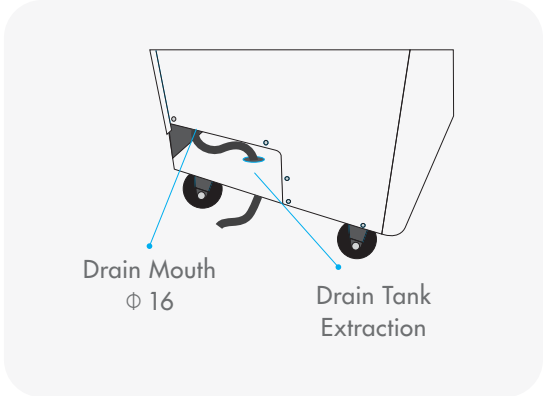
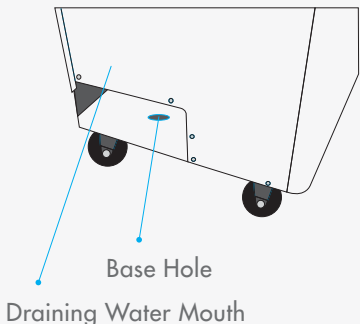
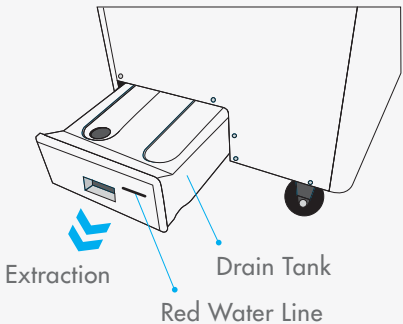
Heating Outlet  
Direction above 80cm



# TURN THE SPOT COOLER ON/ DIRECTION ADJUSTMENT

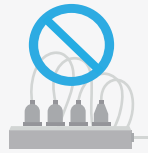


# DRAIN TANK / DIRECT DRAIN





## KOOLZONE MANUFACTURER'S RECOMMENDATIONS



1. USE A DEDICATED OUTLET. DO NOT SHARE AN OUTLET WITH OTHER DEVICES.  
SHARING AN OUTLET MAY CAUSE A POWER CUT.



2. USING AN EXTENSION CORD IS NOT RECOMMENDED.  
IF AN EXTENSION CORD IS NEEDED, USE 12 AWG OR THICKER GAUGE.



3. DO NOT BLOCK THE HEAT EXHAUST OUTLET.  
(DO NOT PLACE SAC1800 TOO CLOSE TO THE WALL.)  
IT MAY BLOCK THE HEAT OUTLET AND CAUSE THE SPOT COOLER TO  
STOP WORKING PROPERLY.



4. FOR OPTIMUM PERFORMANCE, USE ONLY UP TO A MAXIMUM OF  
12 FT OF HEAT/COOL EXTENSION DUCT.



## PLEASE NOTE

OPTIMUM OPERATING TEMPERATURE RANGE FOR  
KOOLZONE MOBILE SPOT A/C COOLER  
IS FROM **64 - 104°** FAHRENHEIT.

PROPER USAGE OF THIS UNIT, AT THE COOLING DUCT,  
WILL REDUCE THE AMBIENT TEMPERATURE  
BETWEEN **10 - 15°** FAHRENHEIT.

MAKE LIFE SIMPLE AND MORE CONVENIENT  
WITH UNINEX



SCAN ME

CONTACT US FOR PURCHASE OR RENTAL



EXCLUSIVELY DISTRIBUTED BY:  
**UNINEX INTERNATIONAL**

5780 SMITHWAY STREET COMMERCE, CA 90040  
T. 800-864-3288 / 323-890-9246 / F. 323-890-9249



MANUFACTURE:  
**NAKATOMI CO.,LTD.**

6445-2, TAKAI, TAKAYAMA, KAMITAKAI, NAGANO, JAPAN