



NAKATOMI

KOOLZONE

MOBILE SPOT COOLER

QUICK GUIDE FOR **SAC-3000AS**



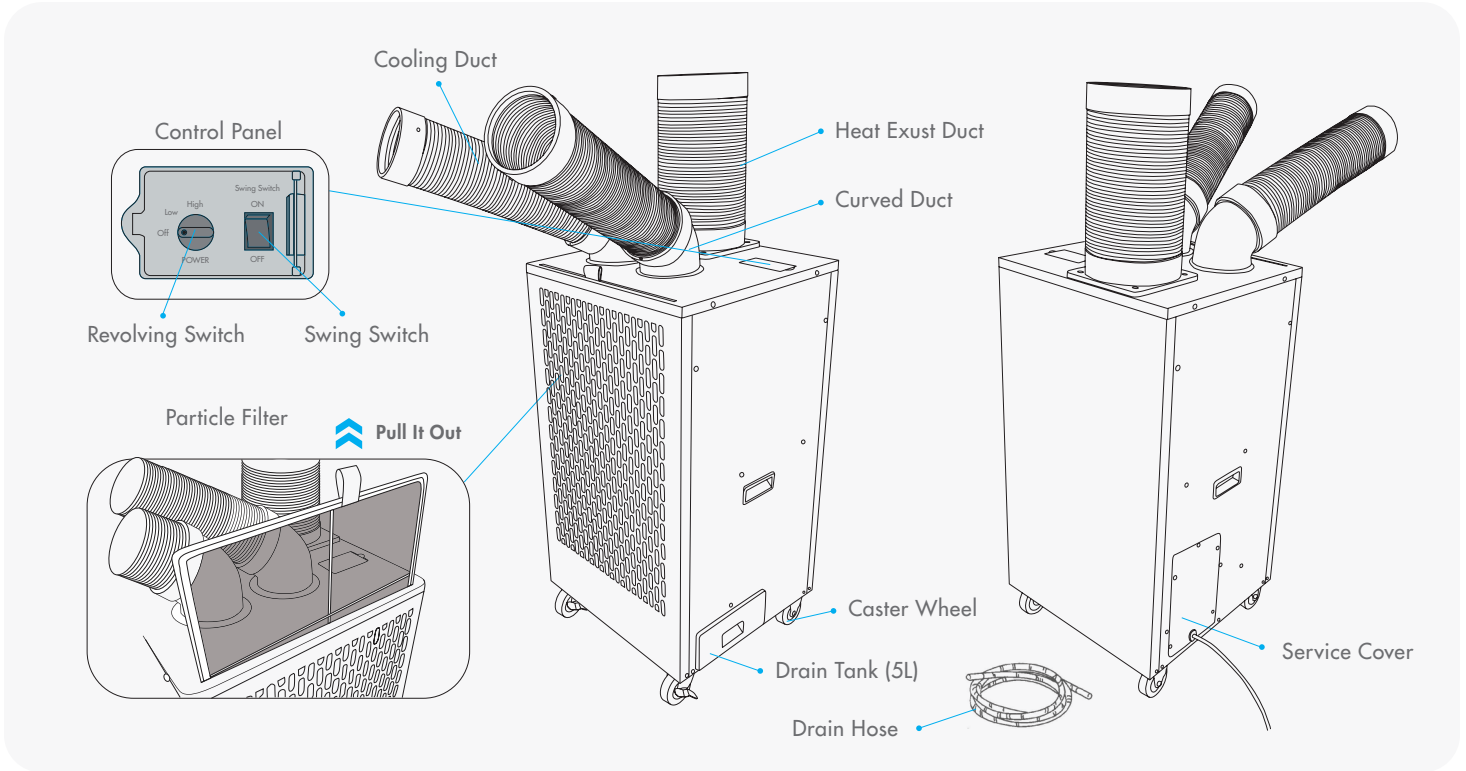
THANK YOU FOR PURCHASING THE KOOLZONE MOBILE SPOT COOLER.
PLEASE READ THE INSTRUCTIONS BEFORE USING.
KEEP THESE INSTRUCTIONS FOR REFERENCE.



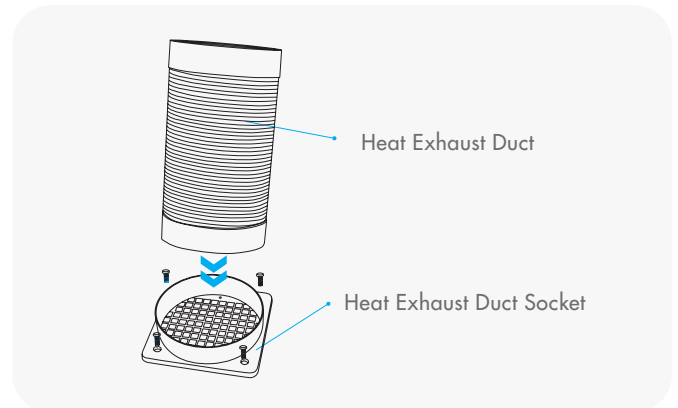
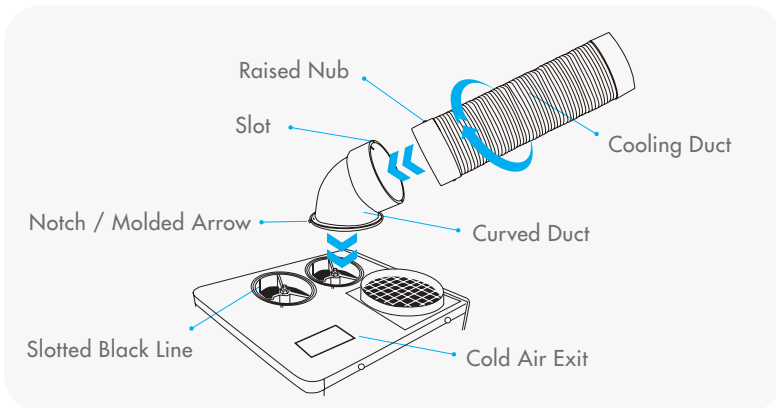
UNINEX INTERNATIONAL

5780 SMITHWAY STREET COMMERCE, CA 90040
T. 800-864-3288 / 323-890-9246 / F. 323-890-9249

PARTS OF THE MACHINE



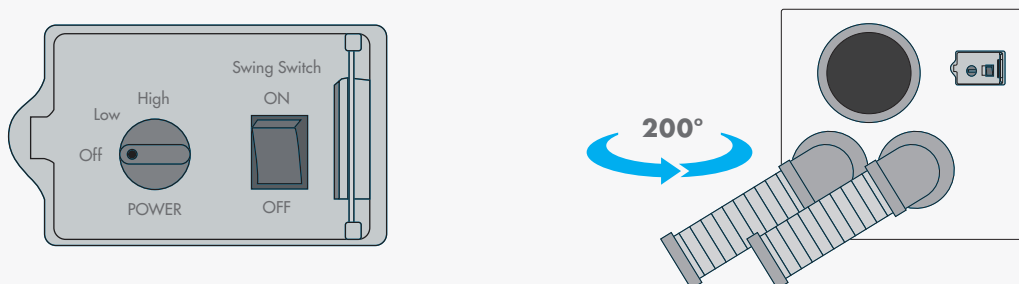
CURVED / COOLING DUCT INSTALLATION



INSTALLATION

- **Installing the curved duct** - Make sure the notch part (molded arrow on duct) lines up with the slotted black line in the cold air exit. Install and turn to center the curved duct with the front of the unit.
- **Installing the cooling duct** - Slide the cooling duct raised nub into the slot of the curved duct. Then turn clockwise to lock. Make sure the duct is connected properly before using. When adjusting the direction, turn the curved duct instead of the cooling duct.
- **Installing the heat exhaust duct and socket** - The heat exhaust duct socket uses 4 ST4×12 bolts to fix the heat vent.

TURN THE SPOT COOLER ON/ DIRECTION ADJUSTMENT



HOW TO OPERATE AND SELECT FUNCTIONS

- To power on, turn on the switch at the top of the unit to low or high cooling for operation.

There are 2 options:

1. Low Cooling - Sends a flow of cold air at low fan speed.
2. High Cooling - Sends a flow of cold air at high fan speed.

- Swing switch.

Press on and the two cold ducts will automatically oscillate.

Press off to stop.

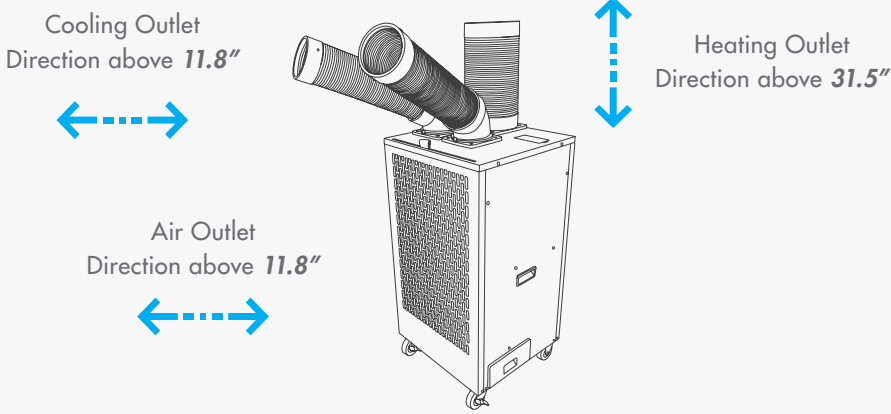
NOTIFICATION

- If you use the unit out of the temperature range, it may not work properly.
- Do not overload the electrical system by using too many devices off one outlet.

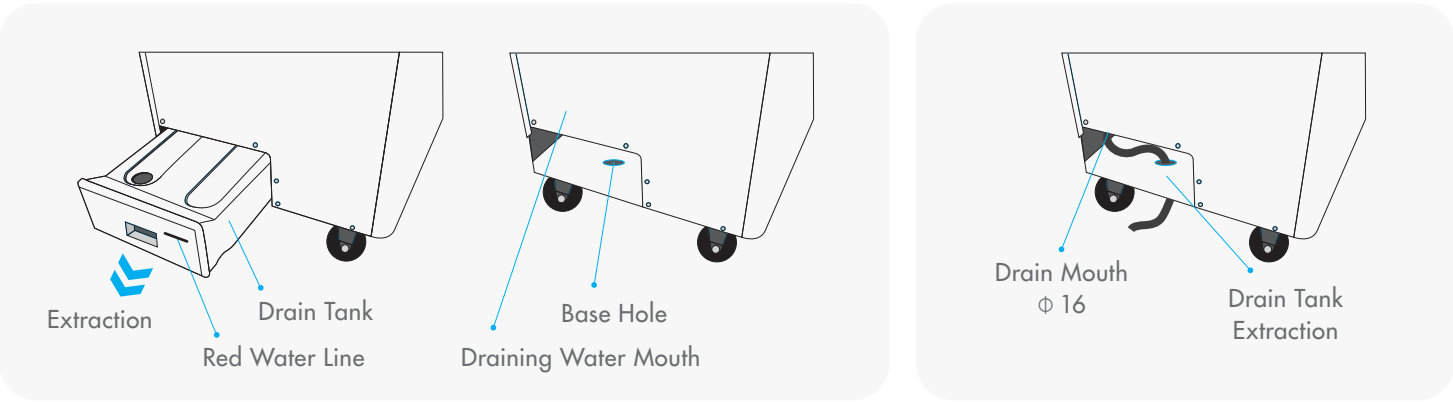
ADJUSTING THE AIR FLOW DIRECTION.

- Please adjust the duct to get the desired cooling and heating direction.
The cooling duct adjustment range is 200° horizontal and 50° vertical.
The heat exhaust duct adjustment range is 40°.

IMPORTANT - KEEP DISTANCE



DRAIN TANK / DIRECT DRAIN





KOOLZONE MANUFACTURER'S RECOMMENDATIONS



1. USE A DEDICATED OUTLET. DO NOT SHARE AN OUTLET WITH OTHER DEVICES.
SHARING AN OUTLET MAY CAUSE A POWER OUTAGE.



2. IF USING AN EXTENSION CORD, A 12 AWG IS RECOMMENDED.



3. DO NOT BLOCK THE HEAT EXHAUST DUCT.
BLOCKING THE HEAT EXHAUST COULD CAUSE THE UNIT
TO OVERHEAT AND STOP WORKING PROPERLY.



4. FOR OPTIMUM PERFORMANCE, USE ONLY UP TO A MAXIMUM OF
12 FT OF HEAT/COOL EXTENSION DUCT.



PLEASE NOTE

OPTIMUM OPERATING TEMPERATURE RANGE FOR
KOOLZONE MOBILE SPOT A/C COOLER
IS FROM **77° - 113°** FAHRENHEIT.

WHEN USING THIS UNIT ON COOLING MODE,
THE AMBIENT TEMPERATURE WILL BE REDUCED
BETWEEN **10° - 15°** FAHRENHEIT.

MAKE LIFE SIMPLE AND MORE CONVENIENT
WITH UNINEX



SCAN ME

CONTACT US FOR PURCHASE OR RENTAL



EXCLUSIVELY DISTRIBUTED BY:
UNINEX INTERNATIONAL

5780 SMITHWAY STREET COMMERCE, CA 90040
T. 800-864-3288 / 323-890-9246 / F. 323-890-9249



MANUFACTURE:
NAKATOMI CO.,LTD.

6445-2, TAKAI, TAKAYAMA, KAMITAKAI, NAGANO, JAPAN