

KoolBase

MOBILE SPOT COOLER

QUICK GUIDE

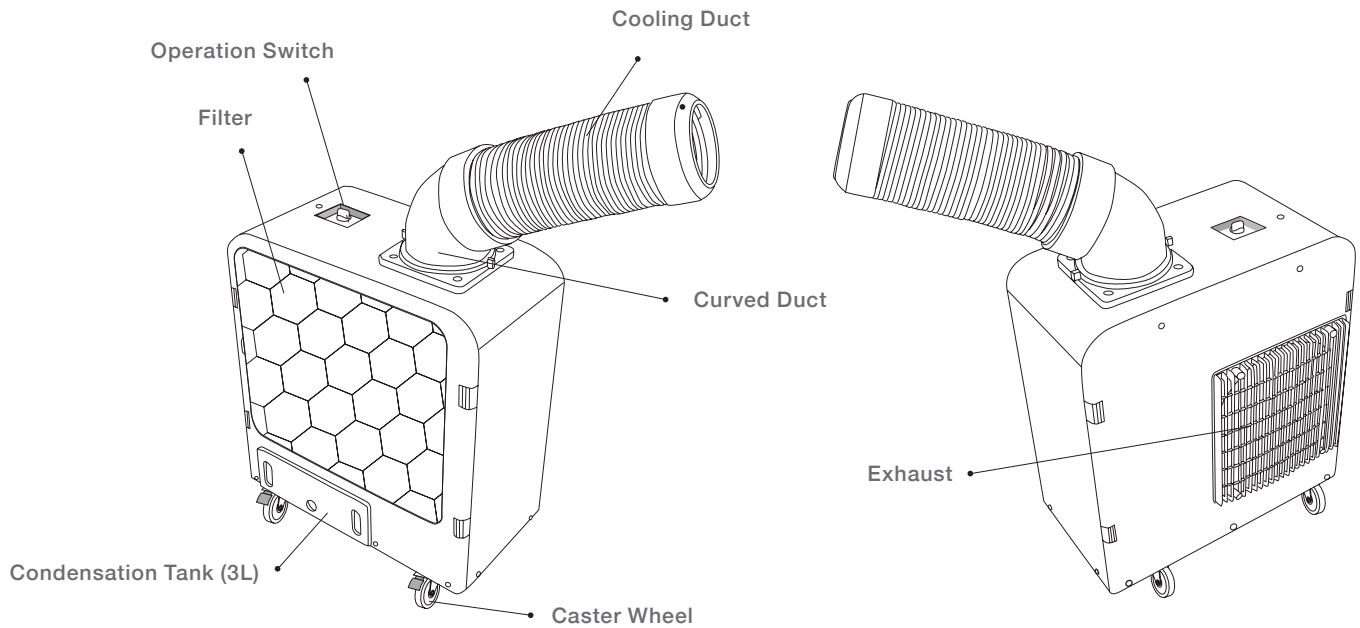
MSC1800NE



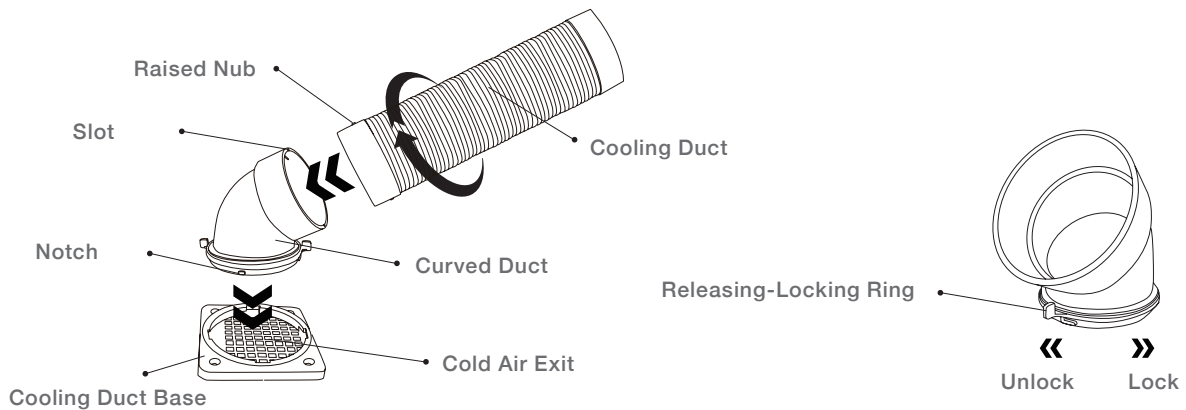
THANK YOU FOR PURCHASING THE KOOLBASE MOBILE SPOT COOLER.
PLEASE READ THE INSTRUCTIONS BEFORE USING.
KEEP THESE INSTRUCTIONS FOR REFERENCE.

KoolBase

PARTS OF THE MACHINE



COOLING DUCT INSTALLATION



• INSTALLING THE CURVED DUCT

Line up the nubs on the curved duct with slot on the cold air exit. Turn locking ring until it is locked position.

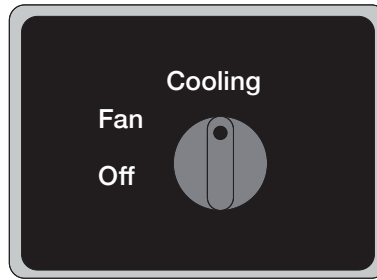
• INSTALLING THE COOLING DUCT

Slide the cooling duct raised nub in to the slot of the curved duct. Then turn clockwise to lock.

Make sure the duct is connected properly before using. When adjusting the direction,

turn the curved duct instead of the cooling duct.

OPERATING INSTRUCTION



To power on, turn on the switch at the top of the unit to fan or cooling for operation.

THERE ARE 2 OPTIONS:

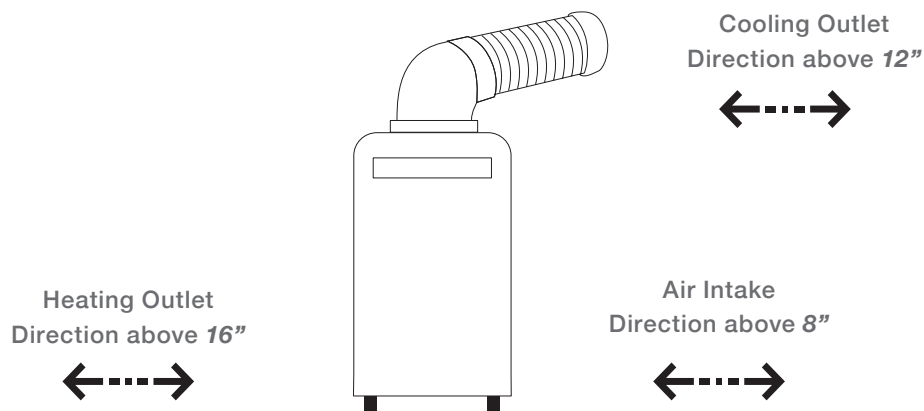
- Fan - Air flow at ambient temperature.
- Cooling - Sends a flow of cold air at fan speed.

NOTIFICATION

- Operating temperature is between 64°F to 104°F.
- If you use the unit out of the temperature range, it may not work properly.
- Do not overload the electrical system by using too many devices off one outlet.

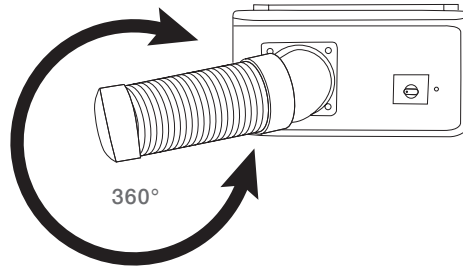
IMPORTANT - KEEP DISTANCE

Make sure the unit has minimum distance from any wall, ceiling, or object as illustrated below.



ADJUSTING THE AIR FLOW DIRECTION

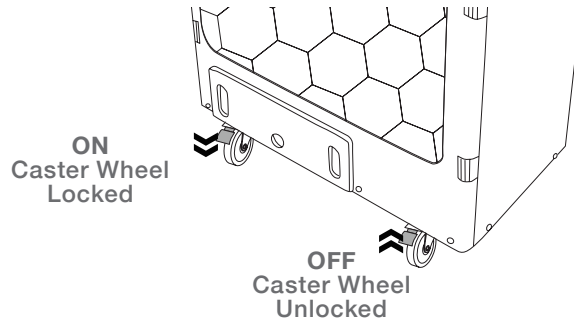
Adjust the duct to get the desired cooling direction.
The cooling duct adjustment range is 360° horizontal and 50° vertical.



Adjust the angle of the cooling duct before using the unit.
Hold the curved duct and bend the cooling duct for angle adjustment.

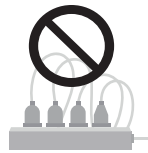
CASTER WHEEL LOCK/UNLOCK

The front wheels come with locks. For safety, lock the casters and check the unit for movement.





KOOLBASE MANUFACTURER'S RECOMMENDATIONS



1. USE A DEDICATED OUTLET. DO NOT SHARE AN OUTLET WITH OTHER DEVICES.
SHARING AN OUTLET MAY CAUSE A POWER OUTAGE.



2. IF USING AN EXTENSION CORD A 12 AWG IS RECOMMENDED.



3. DO NOT BLOCK THE HEAT EXHAUST DUCT OUTLET.
BLOCK THE HEAT EXHAUST OUTLET COULD CAUSE THE UNIT
TO OVERHEAT STOP WORKING PROPERLY.



PLEASE NOTE

OPTIMUM OPERATING TEMPERATURE RANGE FOR
KOOZONE MOBILE SPOT A/C COOLER
IS FROM *64 - 104°* FAHRENHEIT.

WHEN USING THIS UNIT ON COOLING MODE,
THE AMBIENT TEMPERATURE WILL BE REDUCED
BETWEEN *10 - 15°* FAHRENHEIT.

KoolBase