

KOOLZONE

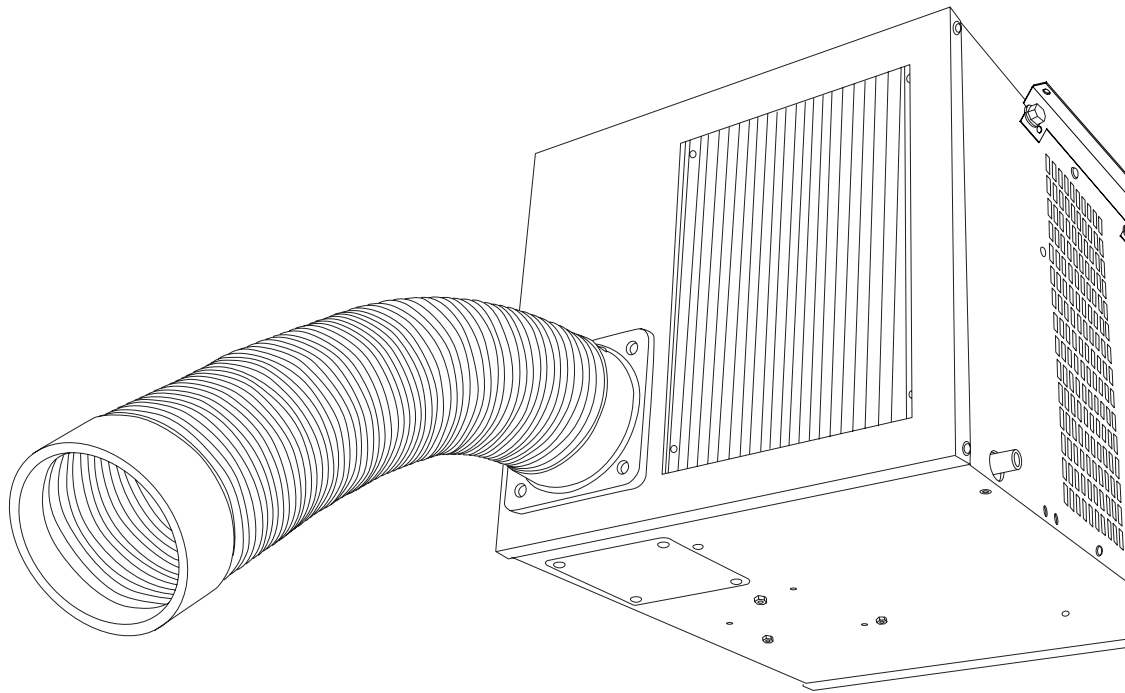
MOBILE SPOT COOLER



FOR MORE INFO

USER MANUAL

SAC-2500C





THANK YOU FOR PURCHASING THE KOOLZONE MOBILE SPOT COOLER.

PLEASE READ THE INSTRUCTIONS BEFORE USING.





KEEP THESE INSTRUCTIONS FOR REFERENCE.

TABLE OF CONTENTS

1. SAFETY PRECAUTIONS	PAGE 4,5
2. SPECIFICATIONS	PAGE 6
3. ACCESSORIES	PAGE 6
4. PARTS OF THE MACHINE	PAGE 7
5. INSTALLATION	PAGE 7
6. OPERATING INSTRUCTION	PAGE 12
7. MAINTENANCE AND INSPECTION	PAGE 13
8. TROUBLESHOOTING	PAGE 14





1. SAFETY PRECAUTIONS













Please read "Safety Precautions" carefully before operating the unit to reduce the risk of injury or damage.

 STOP	<p>It may cause personal injury, fire, or other property damage if you neglect this mark and operate in the wrong way.</p>
 FORBIDDEN	<p>This mark stands for under any circumstances this unit should not be used.</p>
 AS DIRECTED	<p>This mark stands for only use as directed.</p>
 NOTIFICATIONS / CAUTION	<p>This mark stands for notification of use or to be aware of possible hazardous or unsafe situations.</p>

FOR YOUR SAFETY, PLEASE FOLLOW THESE INSTRUCTIONS.

Please read carefully. The following should be read and understood.

	<p>Please do not use the unit where flammable materials are used or stored (such as thinner, gasoline, kerosene, LPG, aluminum, magnesium, and plumbum). They could cause possible fire or explosion.</p>
	<p>Only a professional repair service should disassemble the unit in order to avoid warranty voidance or safety issues such as fire, electric shock, and injury. If you need repairs, please contact the manufacture or qualified repair service.</p>
	<p>Please do not operate the unit in the rain or wet areas.</p>
	<p>The power supply use only 115V single phase, otherwise it will cause the unit not to function properly.</p>

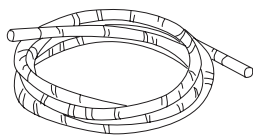
	<p>Do not change or modify the unit. It could cause damage to the unit or property and will void warranty.</p>
	<p>Keep unit away from excessive heat or fire. It may cause damage to the unit.</p>
	<p>Use only grounded outlet.</p>
	<p>The unit operates in the temperature range from 64°F to 104°F, otherwise it may cause the unit to slow the air flow or shutdown.</p>
	<p>Turn off the unit to move location or lock casters.</p>
	<p>If the unit is stopping, has excessive noise, or abnormal odor, please stop use immediately.</p>
	<p>To prevent an accident or damage, the unit can not be used in the following locations:</p> <ul style="list-style-type: none"> • Not grounded. • Unlevel ground. • Stairs, emergency exit or entrance. • Area of strong wind, heavy dust or metal powder.
	<p>Hold plug when pulling out of outlet. Otherwise, the plug may be damaged or sparking could occur.</p>
	<p>Unplug unit if storing or non-use for a period time.</p>
	<p>Unplug unit for repair or installation.</p>
	<p>Do not bend, pull, bind, clip, or change the power cord. It may cause accidents such as fire or electrical shock.</p>
	<p>Do not use unit on a boat.</p>

2. SPECIFICATIONS

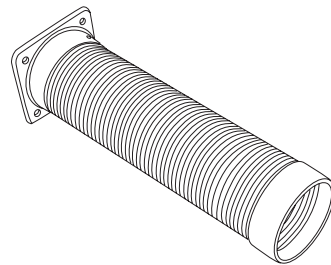
POWER / FREQUENCY	Single phase 115 V / 60 Hz	
LOAD CURRENT	Fan	Aircondition
	1.7 A	8.58 A
CONSUMPTION POWER	195 W	937 W
COOLING CAPACITY	9,210 BTU	
COMPRESSOR	Fully Closed Type Rotary	
REFRIGERANT	R410 A	
REFRIGERANT (RATED CHARGE)	520 g	
FAN PROTECTOR	Inner Overheatprotector	
CONDENSATE WATER HANDLING METHOD	Drain Pipe	
SIZE	17.7" × 20.6" × 15.9"	
WEIGHT	77.2 LB	
OPERATING TEMPERATURE LIMIT	(77°F - 113°F)	

- Refrigeration capability and electric features are tested at 94°F room temperature and 60% humidity.

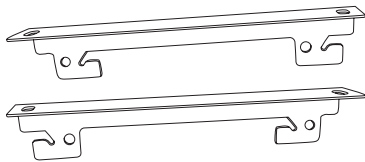
3. ACCESSORIES



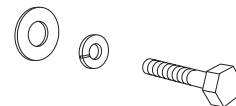
Drain Hose



Cooling Duct

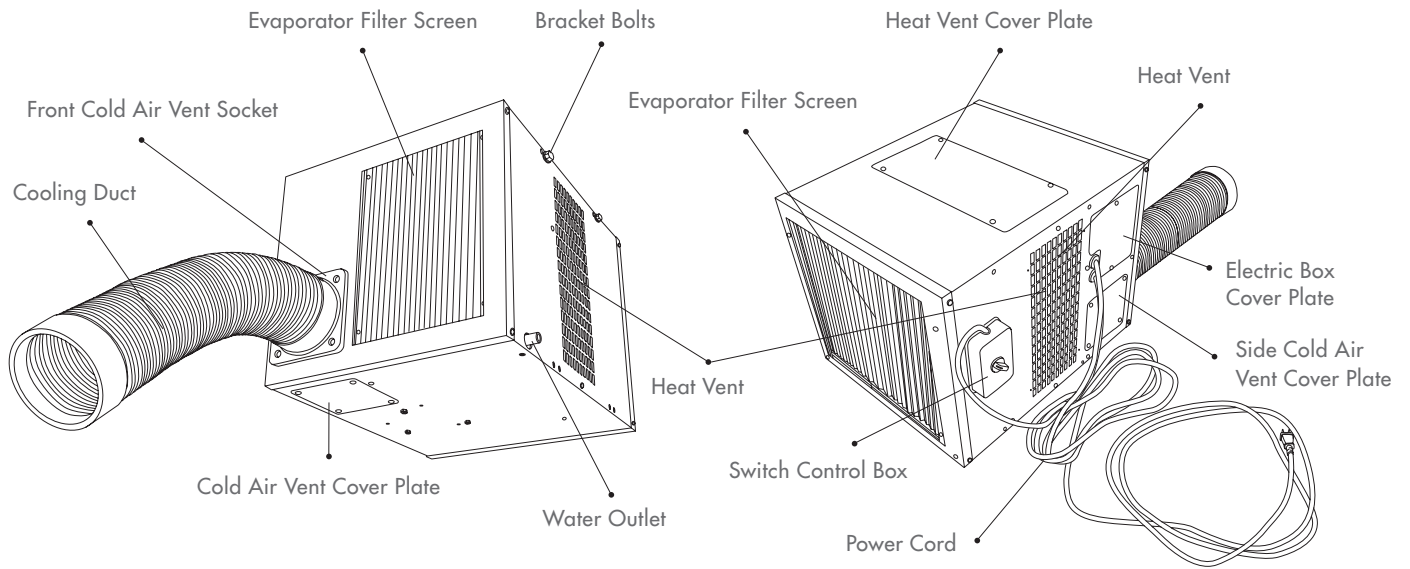


Mounting Brackets



Bolts and Washers

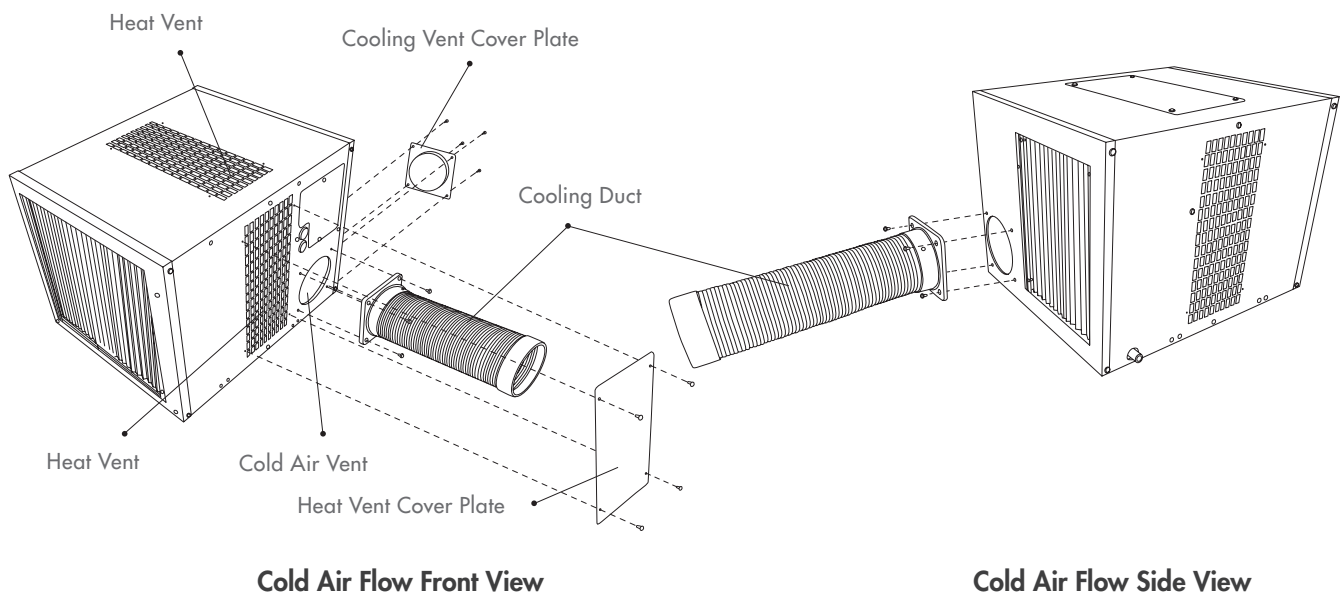
4. PARTS OF THE MACHINE

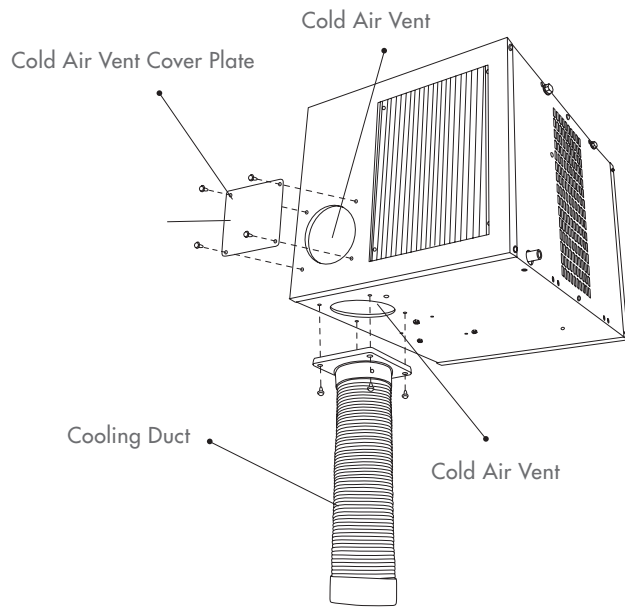


5. INSTALLATION

• INSTALLING THE COOLING DUCT

There are three cold air outlets. All three outlets can be used together (one cooling duct included). Additional ducts can be purchased separately. Select the direction of the cold air outlet needed for use. The cold air vent socket is fixed to the cold air vent on the air conditioner with four M5x12 screws (included). Select the direction needed and cover the other air vents with a cold air vent cover plate. There are three heat outlets provided by the air conditioner. Depending on the situation, the heat vent cover can be used on one or none of heat vents.

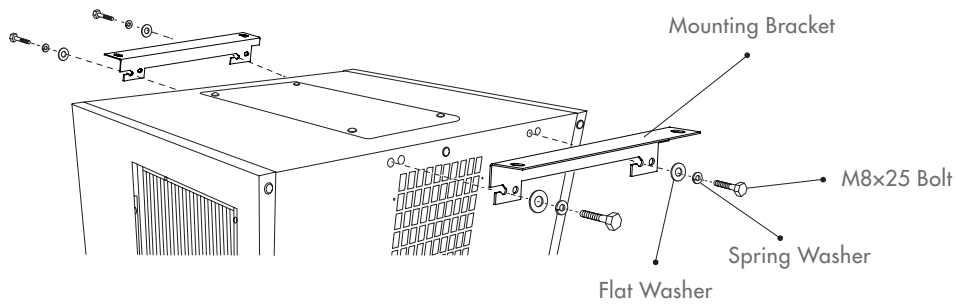




Cold Air Flow Bottom View

• **INSTALLING MOUNTING BRACKETS**

Align the screw holes on the machine with the mounting bracket. Using the four M8x25 screws (included) secure the mounting brackets.



Differnt Mounting Option (Outside)

Differnt Mounting Option (Inside)

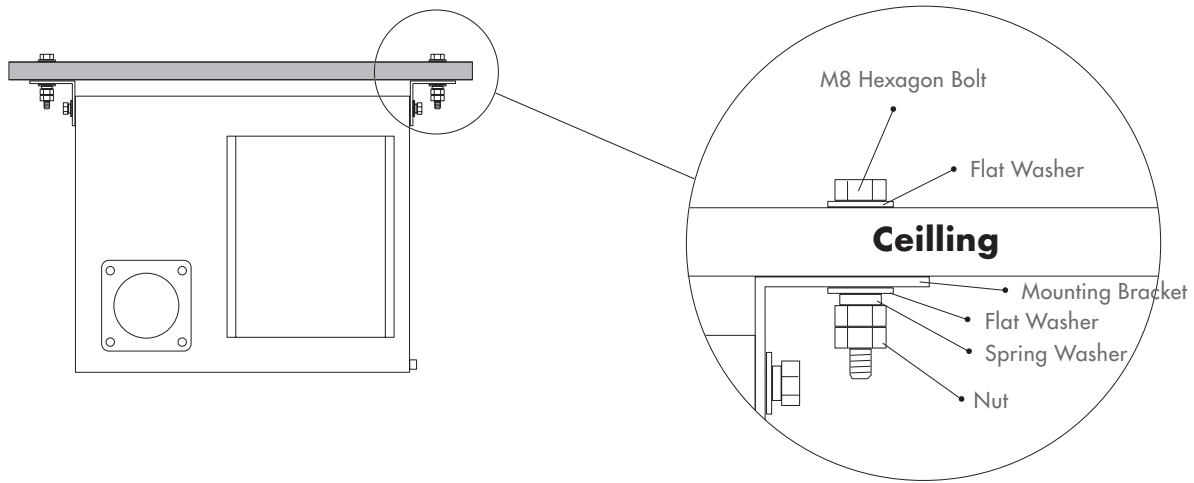
! NOTIFICATION

When installing the unit, the upper ceiling or beam must be able to fully support the weight of the unit. All supporting hardware should meet building code standards to ensure the safety of the unit.

• INSTALLING THE UNIT

INSTALLATION OPTION 1. (Hardware is not included)

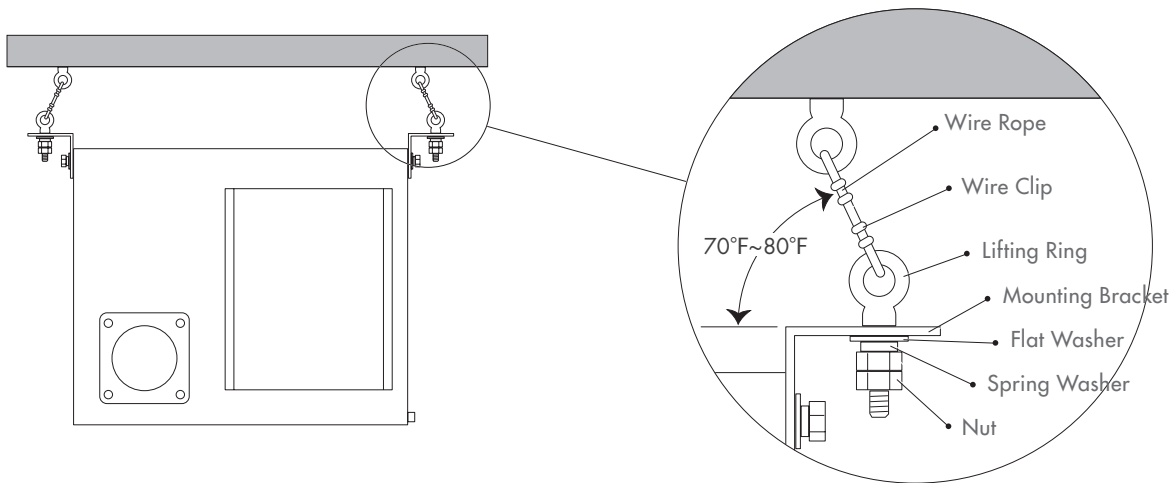
Installing the unit directly on the ceiling.



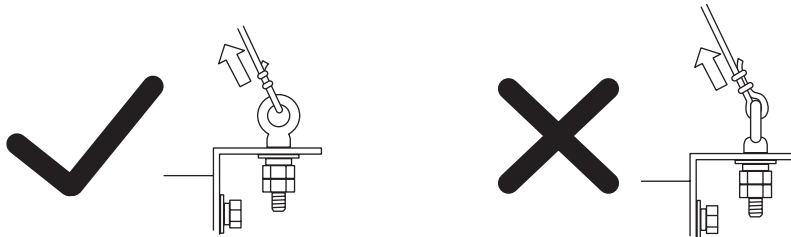
INSTALLATION OPTION 2. (Hardware is not included)

Installing the unit on the ceiling using lifting or hoist rings.

Load direction of the lifting rings. The flat sides of the upper and lower lifting rings should be on the same direction (as shown in the diagram).

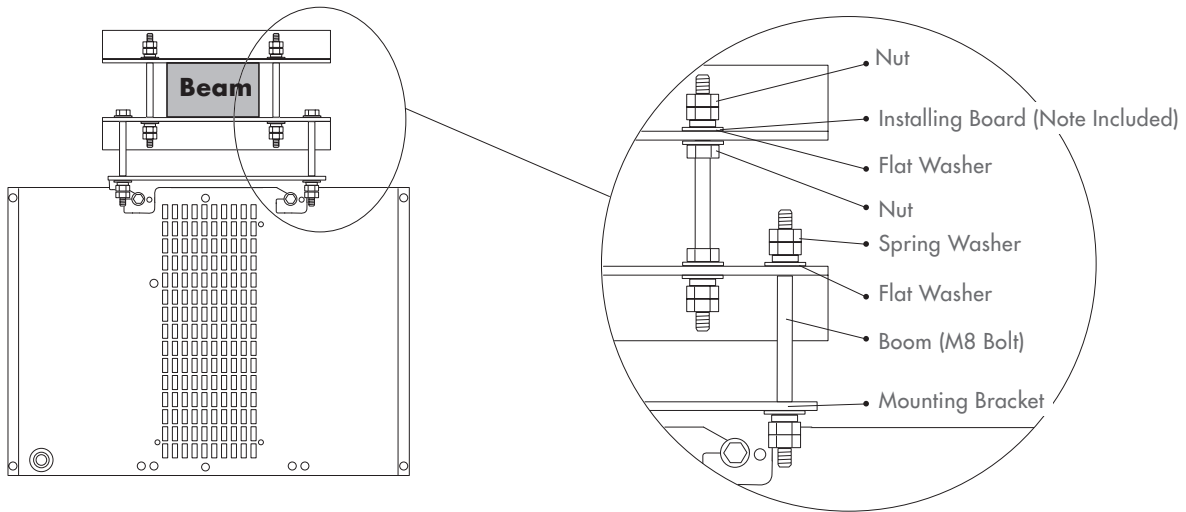


CAUTION



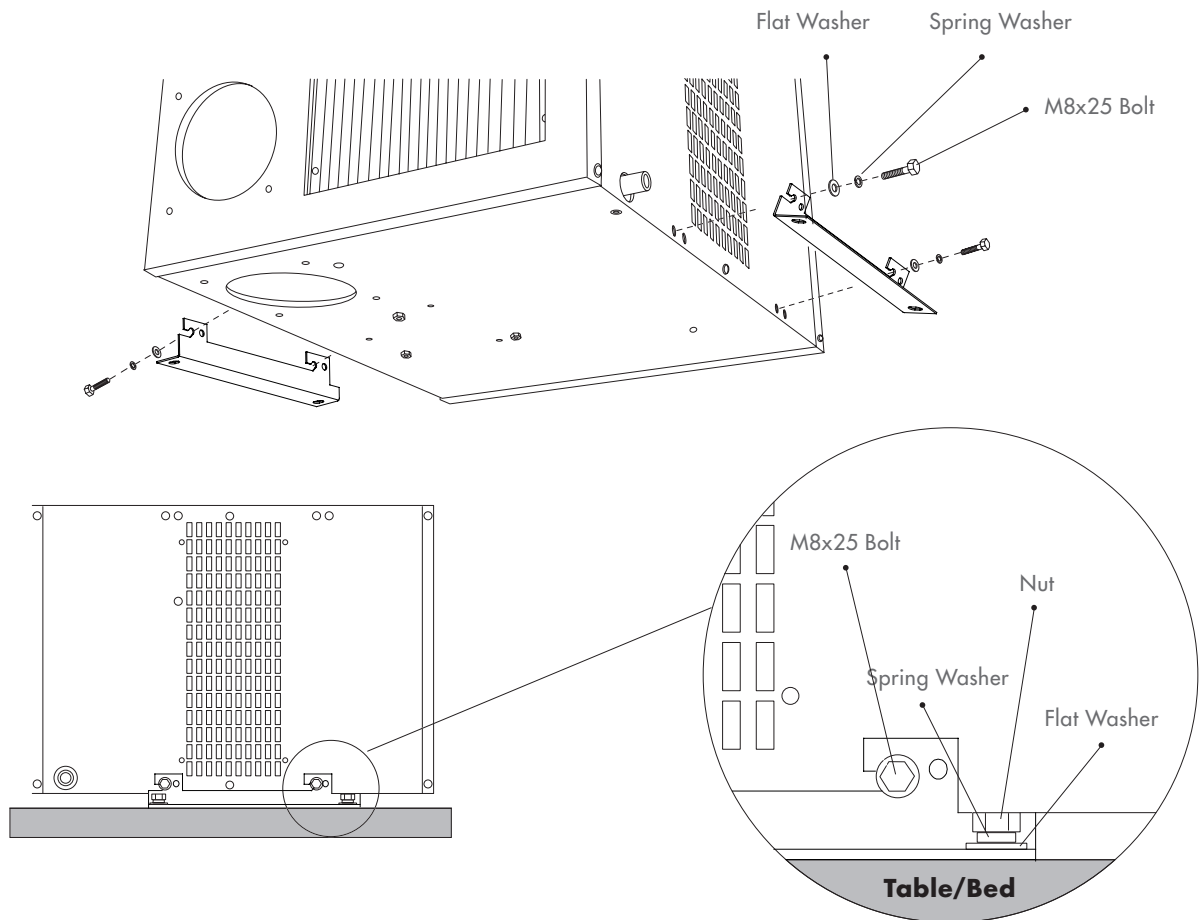
INSTALLATION OPTION 3. (Hardware is not included)

Installing the unit on the beam with a boom.



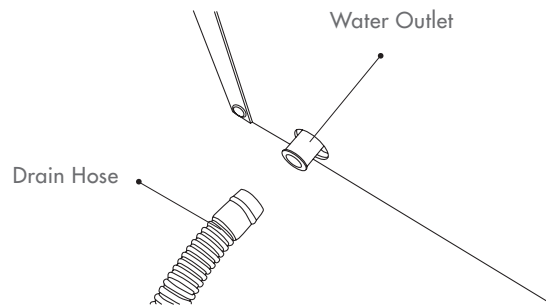
INSTALLATION OPTION 4. (Hardware is not included)

Installing the unit on the table or bed.



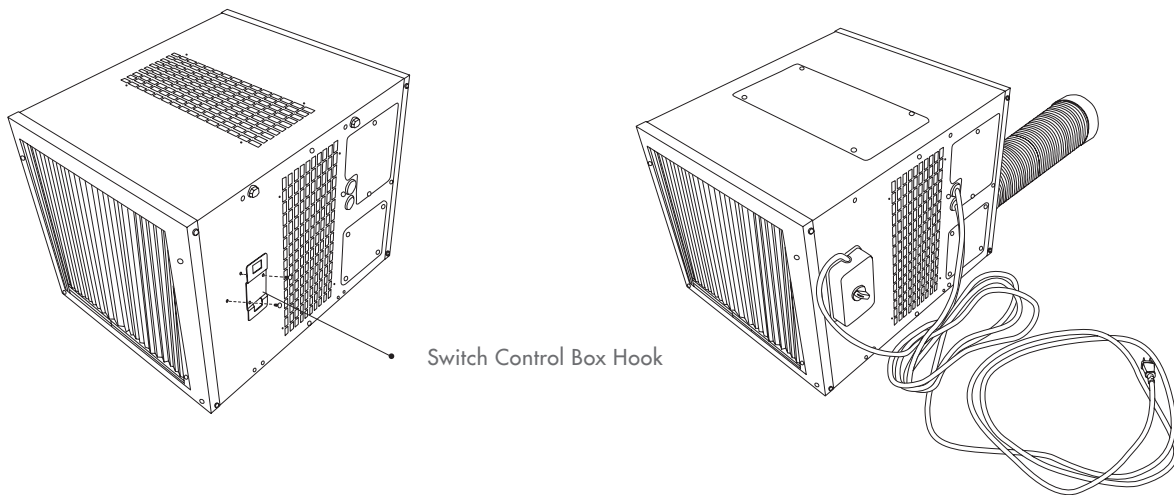
- **INSTALLING THE DRAIN HOSE**

Connect the drain hose as illustrated below. Condensated water can be drained directly from the unit using the drain hose.



- **INSTALLING THE THE SWITCH CONTROL BOX**

The switch control box hook is attached to the side of the unit (as illustrated below). Connect the switch control box to the hook.

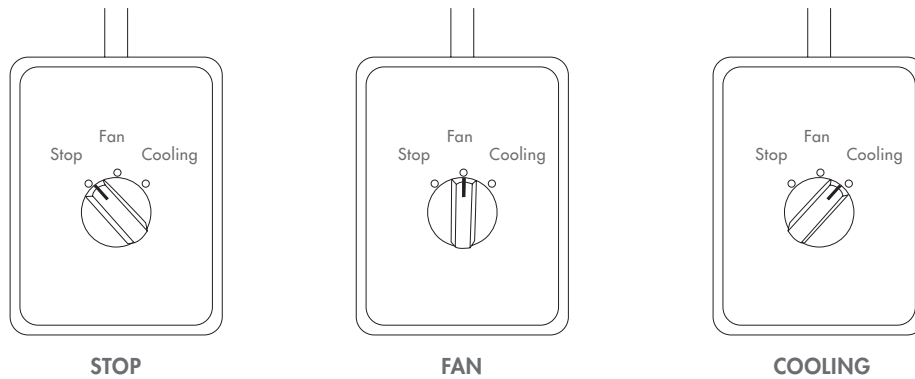


- **POWER SUPPLY CONNECTION**

Please use a dedicated power outlet.
Please use a grounded circuit breaker with a 15A capacity.

6. OPERATING INSTRUCTION

SWITCH CONTROL BOX OVERVIEW



- **HOW TO OPERATE AND SELECT FUNCTIONS**

Set the switch to fan mode and the fan will start. The unit will emit ambient air.

At fan mode setting the compressor will not work.

Set the switch on cooling mode, the compressor will start and cold air will flow from the AC unit.

Set the switch to the stop, AC unit will turn off.

NOTIFICATION

- Operating temperature is between 77°F to 113°F.
- If you use the unit out of the temperature range, it may not work properly.
- Do not overload the electrical system by using too many devices off one outlet.

- **COMPRESSOR OVERLOAD / OVERHEAT PROTECTION**

If the compressor overheats or overloads due to high or low voltage or high ambient temperature, the built in safety protection for the compressor will start working and turn off the unit.

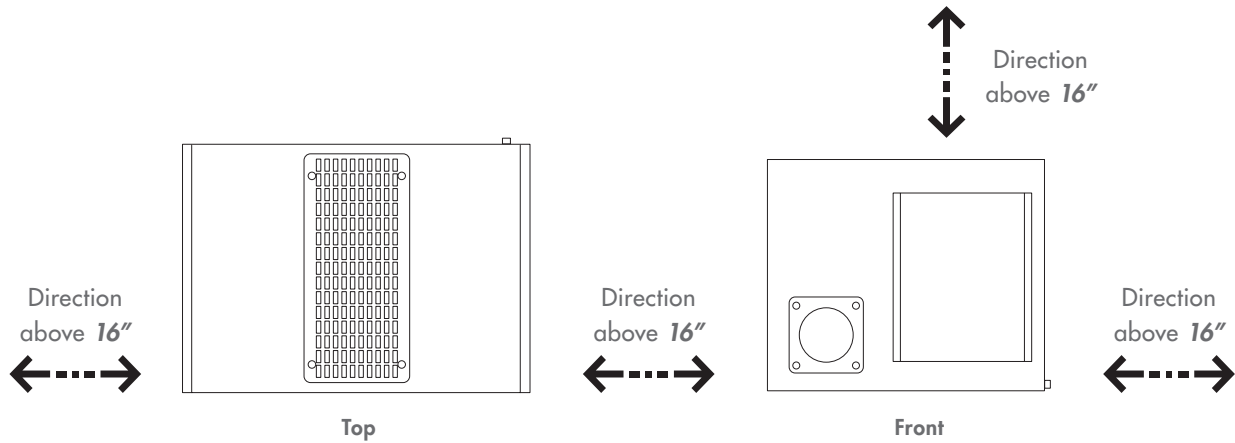
CAUTION

When the overload protection is working, the air flow from the unit will be at the ambient temperature of the room, but will not cool the air.

If overload protection works frequently, find out, and fix the problem before using the unit.

- **KEEP DISTANCE**

Make sure the unit has minimum distance from any wall, ceiling, or object as illustrated below.



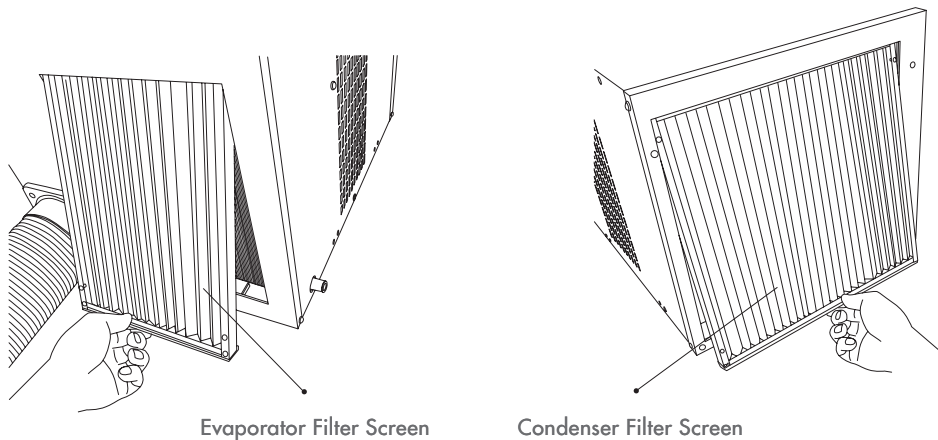
In order to prevent accidents, the unit should be placed on level ground. Unlevel ground, stairs, emergency exits should not be used. Minimum distance needed is 12" from any wall. While the unit operates, please do not place obstructions in front of the filter, cooling, or heating exhaust duct.

7. MAINTENANCE AND INSPECTION

NOTIFICATION

Please clean the filter regularly.

- When cleaning filter with heavy use, consider vacuuming filter before rinsing. Rinse with water and dry thoroughly before reuse.
- When cleaning the surface of the unit, do not use abrasive materials or chemicals which could damage the unit surface.



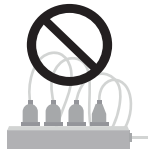
8. TROUBLESHOOTING

PROBLEM	CAUSE	SOLUTION
NOT RUNNING	<ul style="list-style-type: none"> • The power plug is loose or disconnected. • The breaker switch has turned off. 	<ul style="list-style-type: none"> • Insert the plug into the wall outlet. • Check breaker on main panel and reset. • Ask the technical service department for assistance.
NO REFRIGERATION	<ul style="list-style-type: none"> • The condenser surface is dirty and blocked. • The heat exhaust fan not working. • The external environment temperature is too high. • The compressor is not working. • The refrigeration system pipeline is blocked. • Possible power overload. 	<ul style="list-style-type: none"> • Clean the condenser surface and vents. • Check fan. • Move to more a suitable place to use. • Check the capacitor to the compressor. • Check pipeline system and clean. • Check for proper voltage.
WATER LEAKS OUT	<ul style="list-style-type: none"> • The drain pipe is blocked. • The filter is dirty. • The water tank is full of water. 	<ul style="list-style-type: none"> • Clean out the drain pipe. • Clean the filter. • Remove drain cap and empty the water.

- The warranty period of this machine is one year. Our company has a technical department to provide service to our customers.
- If the customer disassembles or modifies the unit in any way, the unit is not covered by the warranty.
- If the unit is out of warranty, the customer is responsible for service and additional costs if needed.



KOOLZONE MANUFACTURER'S RECOMMENDATIONS



1. USE A DEDICATED OUTLET. DO NOT SHARE AN OUTLET WITH OTHER DEVICES.
SHARING AN OUTLET MAY CAUSE A POWER OUTAGE.



2. IF USING AN EXTENSION CORD, A 12 AWG IS RECOMMENDED.



3. DO NOT BLOCK THE HEAT EXHAUST DUCT.
BLOCKING THE HEAT EXHAUST COULD CAUSE THE UNIT
TO OVERHEAT AND STOP WORKING PROPERLY.



4. FOR OPTIMUM PERFORMANCE, USE ONLY UP TO A MAXIMUM OF
12 FT OF HEAT/COOL EXTENSION DUCT.

KOOLZONE

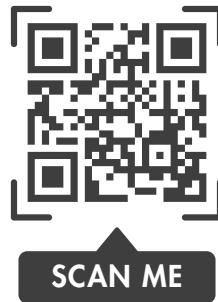


PLEASE NOTE

OPTIMUM OPERATING TEMPERATURE RANGE FOR
KOOLZONE MOBILE SPOT A/C COOLER
IS FROM **77° - 113°** FAHRENHEIT.

WHEN USING THIS UNIT ON COOLING MODE,
THE AMBIENT TEMPERATURE WILL BE REDUCED
BETWEEN **10° - 15°** FAHRENHEIT.

MAKE LIFE SIMPLE AND MORE CONVENIENT
WITH UNINEX



CONTACT US FOR PURCHASE OR RENTAL



EXCLUSIVELY DISTRIBUTED BY:
UNINEX INTERNATIONAL

5780 SMITHWAY STREET COMMERCE, CA 90040
T. 800-864-3288 / 323-890-9246 / F. 323-890-9249



MANUFACTURE:
NAKATOMI CO.,LTD.

6445-2, TAKAI, TAKAYAMA, KAMITAKAI, NAGANO, JAPAN